

# SE-1520

For Vehicle and  
Bench Installations

## GASOLINE ENGINE TACHOMETER

Simply clamp the detector(IP-292/3000) around the primary cable of the ignition coil.

Provide anti-noise and stable analog/pulse output by means of input, output and power supply isolation.

**Discontinued**  
(Reference only)



**IP-292** ■ Maximum diameter of cord:  $\phi 10\text{mm}$ (MAX)  
■ Operating temperature:  $-40\sim+120^{\circ}\text{C}$   
Engine rotation detector (optional)



Detect the number of ignition pulses produced in the gasoline engines by clamping the primary cord of the ignition coil.

**IP-3000** ■ Maximum diameter of cord:  $\phi 5\text{mm}$ (MAX)  
■ Operating temperature:  $-40\sim+120^{\circ}\text{C}$   
Engine rotation detector (optional)



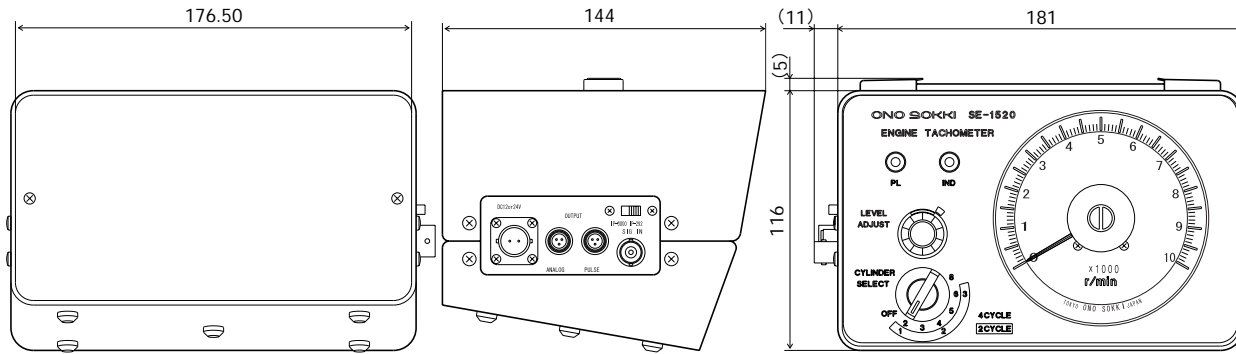
Detect the number of ignition pulses produced in the gasoline engines by clamping the primary cord of the ignition coil or the current cable of the electronic distributor.

# SE-1520 GASOLINE ENGINE TACHOMETER

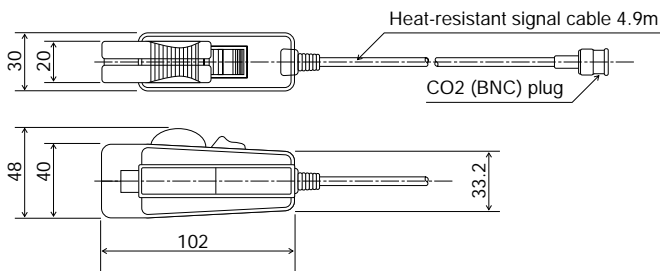
**ONO SOKKI**

SE-1520 Dimensions

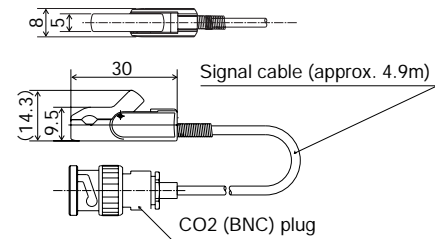
Unit : mm



IP-292 type detector dimensions



IP-3000 type detector dimensions



## Specifications

INPUT SECTION		OUTPUT SECTION		GENERAL SPECIFICATIONS	
Detector (optional)	IP-292, IP-3000	Analogue output	0 to 10V (with respect to 0 to 10,000 r/min)	Power supply	12VDC or 24VDC
Applicable engine	2-cycle engines (1, 2 or 3 cylinders) 4-cycle engines (2, 3, 4, 5, 6 or 8 cylinders)	Voltage		Current consumption	Approx. 200mA (when operating on 12VDC)
Measuring range	2-cycle engines 1 or 2 cylinders 500 to 10,000 r/min 3 cylinders 500 to 8,000 r/min 4-cycle engines 2, 3, 4 or 5 cylinders 500 to 10,000 r/min 6 cylinders 500 to 8,000 r/min 8 cylinders 500 to 6,000 r/min	Output voltage accuracy	Zero ±0.2% / full scale (25°C) Span ±0.3% / full scale (25°C)	Operating temperature range	0°C to +40°C
		Linearity	±0.2% / full scale or less	Storage temperature range	-10°C to +60°C
		Ripple	250mVp-p or less (500r/min)	Weight	Approx. 1.4 kgs
		Output impedance	1 ohm or less (25°C)	Dimensions	181(W) × 121(H) × 144(D)mm
		Response	0.5 sec. or less (10 to 90% of full scale)	Accessories	Analogue output signal cable (1.9m) × 1 Pulse output signal cable (1.9m) × 1 Power cable(3.4m) × 1
		Connectable load	10 kohms or more		
		Pulse output			
		Output waveform	Rectangular waveform with approx. 8ms pulse width (every 2 rotations)		
		Voltage	High level Approx. 5V Low level Approx. 0.3V		
		Output impedance	4.7 kohms or less		
<b>DISPLAY</b>					
Indicator	Class 1.5 100 mm wide angle meter				
Measuring range	0 to 10,000 r/min (100 r/min per 1 scale)				

Connector (Manufacturer)	Connector receptacle	Connector plug
ANALOG (Tajimi Electronics)	RO3-R3F	RO3-PB3M
PULSE (Tajimi Electronics)	RO3-R3F	RO3-PB3M
POWER SUPPLY (Hirose Electric)	RM12BRB-2P	RM12BPE-2S

\*Outer appearance and specifications are subject to change without prior notice.  
URL : <http://www.onosokki.co.jp/English/english.htm>

**ONO SOKKI**

U.S.A. & CANADA  
Ono Sokki Technology Inc.  
2171 Executive Drive, Suite 400  
Addison, IL. 60101 U.S.A.  
Phone : 630-627-9700  
Fax : 630-627-0004  
URL : <http://www.onosokki.net>  
E-mail : [info@onosokki.net](mailto:info@onosokki.net)

P.R.CHINA  
Ono Sokki Beijing Office  
Beijing Jing Guang Center 3510  
Hu Jia Lou, Chao Yang Qu  
Beijing P.R.C. 100020  
Phone : 010-6597-3113  
Fax : 010-6597-3114

WORLDWIDE  
Ono Sokki CO., LTD.  
1-16-1 Hakusan, Midori-ku,  
Yokohama 226-8507, Japan  
Phone : 045-935-3976  
Fax : 045-930-1906  
E-mail : [overseas@onosokki.co.jp](mailto:overseas@onosokki.co.jp)