

Linear Gauge Sensor GS-7710

*Can be mounted anywhere
8-mm diameter slim body
Optimal sensor for
multi-point measurement*

**ACTUAL
SIZE**

φ 8mm

112.8mm

Resolution: 1μm
Display accuracy: 2μm
Stroke: 10mm
Protection class: IP67

**Old Model
(Reference only)**

Model with color
comparator display
GREEN and **RED** used
for Go/No Go judgment



Digital Gauge Counter
DG-4140

Specifications

- Compact, conforms to the DIN 72 standard
- Parallel BCD and comparator outputs provided as standard
- 100 to 240 VAC power supply



Digital Gauge Counter
DG-2310

Specifications

- DIN case (144 x 72 mm)
- 2-channel input
- Handles 0.5μm resolution
- Addition and subtraction arithmetic functions
- Peak hold function
- Analog/ RS-232C outputs provided as standard
- Parallel BCD and comparator outputs provided as standard
- 100 to 240 VAC power supply

For further details on the DG-4140/DG-2310 Digital Gauge Counters, please refer to their respective catalogs that are available separately.

ONO SOKKI

GS-7710 Linear Gauge Sensor

Features

- 8-mm diameter slim body
- Designed for use in harsh environments which require protection class IP67 (GS-7710/7710N only)
- Four models, including nut-mounted and low measuring force types, are provided for your selection.

Specifications

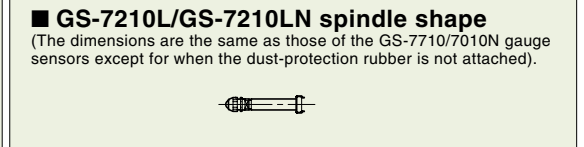
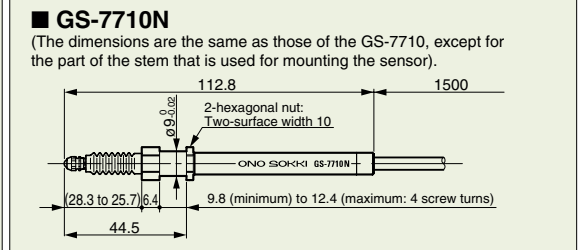
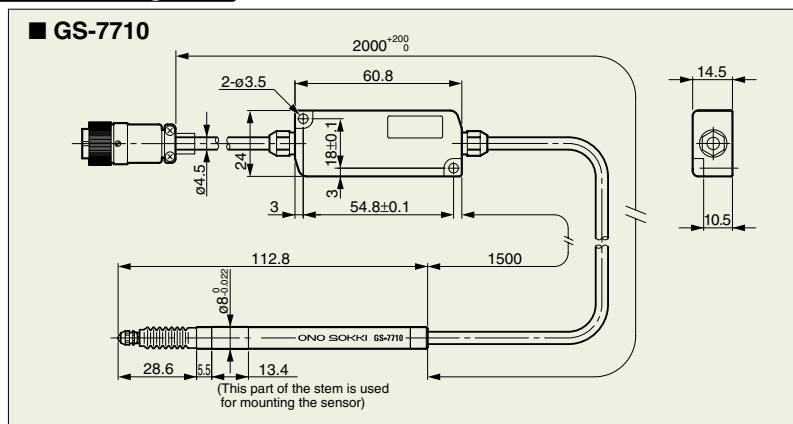
Item	Model	GS-7710 (Standard type)	GS-7210L (Low measuring force type)	GS-7710N (Nut-mounted type)	GS-7210LN (Nut-mounted, low measuring force type)
Measurement range		10mm			
Resolution		1 μ m *1			
Display accuracy		2 μ m			
Max. response speed		0.5m/s			
Measuring force (downward)		1.08N max.	0.3N max.*2	1.08N max.	0.3N max.*2
Protection class		IP67	–	IP67	–
Stem diameter		$\phi 8^{+0}_{-0.022}$ mm			
Power requirements		5 VDC ± 0.5 V			
Power consumption (at 5 VDC)		60 mA max. (5 VDC)			
Signal output		2-phase rectangular wave $90^{\circ} \pm 20^{\circ}$ Hi: 4.4 V minimum, lower than power supply voltage; Lo: 0.4 V maximum			
Operating temperature range		-10 to +55 $^{\circ}$ C			
Cable length		Approx. 2 m			
Weight		Approx. 140 g (including the cable)			

*1 Two compatible digital counters are available. The DG-4140 can be used at a resolution of 1 μ m, and the DG-2310 at a resolution of 0.5 μ m.

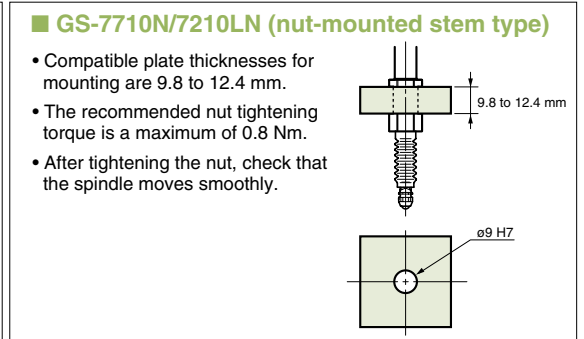
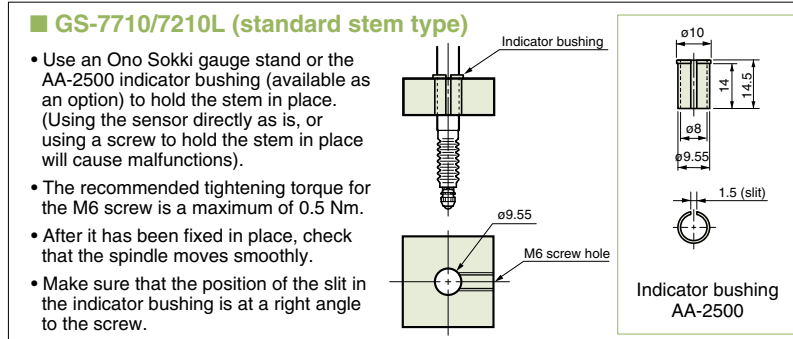
*2 Use the linear gauge sensor in a vertical orientation, with the measuring element pointing in the downward direction. The measuring force value is the value when there is no dust-protection rubber in place.

Dimensional Diagrams

Unit: mm



Mounting Method and Dimensions



* Outer appearance and specifications are subject to change without prior notice.

URL: <http://www.onosokki.co.jp/English/english.htm>

ONO SOKKI

U.S.A. & CANADA

Ono Sokki Technology Inc.
2171 Executive Drive, Suite 400
Addison, IL. 60101 U.S.A.
Phone: 630-627-9700
Fax : 630-627-0004
URL : <http://www.onosokki.net>
E-mail : info@onosokki.net

P.R.CHINA

Ono Sokki Beijing Office
Beijing Jing Guang Center 3510
Hu Jia Lou, Chao Yang Qu
Beijing P.R.C. 100020
Phone: 010-6597-3113
Fax : 010-6597-3114
E-mail : onosokki@public.bta.net.cn

WORLDWIDE

Ono Sokki Co., Ltd.
1-16-1 Hakusan, Midori-ku,
Yokohama 226-8507, Japan
Phone: 045-935-3976
Fax : 045-930-1906
E-mail: overseas@onosokki.co.jp