

# New lineup of Tri-Axial Accelerometers

## NP-3550

Industry's smallest & lightest  
Ultra-compact/light Tri-Axial Accelerometer



## NP-3564N10

Compact/light/high sensitivity  
TEDS compatible Tri-Axial Accelerometer

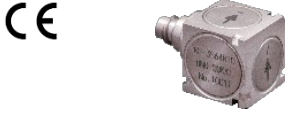



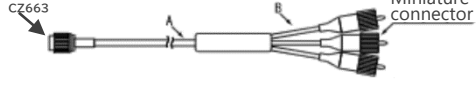
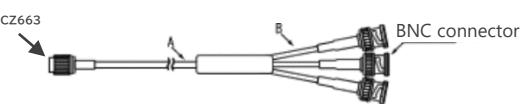

### Specifications

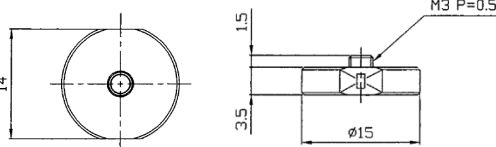
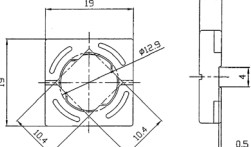
	New NP-3550	Existing NP-3560B
Features	Ultra compact, tri-axial	Compact, tri-axial
Outer appearance		
Sensitivity	1.02 mV/(m/s <sup>2</sup> ) ±20%	
Frequency range	2 to 5 kHz(X)±5 % 2 to 8 kHz(Y)±5 % 2 to 8 kHz(Z)±5 %	2 to 5 kHz(X)±5 % 2 to 10 kHz(Y)±5 % 2 to 10 kHz(Z)±5 %
Operating temperature	-54 to +121 °C	-54 to +121 °C
Maximum allowable acceleration	4,905 m/s <sup>2</sup>	4,900 m/s <sup>2</sup>
Weight	1.0 g	5.3 g
Outer dimensions	6.35(W)×6.35(D)×6.35(H) mm	10.2(W)×10.2(D)×10.2(H) mm

Model	Length (ℓ)	Specifications	Outer dimensions	Compatible sensor
NP-0272	3.0 m	Operating temperature range: A: -90 to 200°C/B: -90 to 204 °C Material(A,B):Teflon		NP-3550
NP-0273	6.1 m	Operating temperature range: A: -60 to 260°C/B: -90 to 204 °C Material: (A)Silicon/ (B) Teflon		
NP-0274	9.1 m	Operating temperature range: A: -90 to 200°C/B: -90 to 204 °C Material(A,B):Teflon		
NP-0291	1.5 m	Operating temperature range: -90 to 200°C Material:Teflon Cable diameter: φ1.96 mm	<p>Example NP-0291</p> <p>NP-0252 NP-0262 NP-0243</p>	

# ■ Specifications

	<b>New</b> <b>NP-3564N10</b>	<b>Existing</b> <b>NP-3578N20</b>
Features	TEDS compatible, compact, tri-axial*1	TEDS compatible, general purpose, tri-axial
Outer appearance	*2 	
Sensitivity	10 mV/(m/s <sup>2</sup> )	
Frequency range	2 to 7,000 Hz(X)±5% 2 to 7,000 Hz(Y)±5% 2 to 10,000 Hz(Z)±5%	1 to 5,000 Hz(X)±1dB 1 to 8,000 Hz(Y)±1dB 1 to 8,000 Hz(Z)±1dB
Operating temperature range	-50°C to +110°C*3	-40°C to +85°C
Maximum allowable acceleration	450 m/s <sup>2</sup>	360 m/s <sup>2</sup>
Weight	4.4g	11.1g
Outer dimensions	10.0(W)×10.0(D)×10.0(H)	14.2(W)×14.2(D)×14.2(H)

Model	Length (ℓ)	Spec	Outer appearance	Compatible sensor
NP-0322	3.3m	Operating temperature range A: -50 to +120°C B: -20 to +60°C		NP3564N10
NP-0332				
NP-0313	5m	Cable diameter A φ2.0 mm B φ2.1 mm		
NP-0314	10m			

Model name	NP-0104	NP-0062
Product name	Magnet base	Mounting clip
Outer dimensions		
Specifications	Weight : 4.5 g Force : 40 N	-
Compatible sensor	NP-3564N10	NP-3564N10

\*1 Conforming to IEEE1451.4-2004 Template ver 1.0

\*2 EMC Directive: EN61326-1 Class B Group1, RoHS Directive: EN IEC 63000

\*3 At TEDS communication: -40°C~+85 °C

**ONOSOKKI**

**WORLDWIDE ONO SOKKI CO., LTD.**  
3-9-3 Shin-Yokohama, Kohoku-ku, Yokohama 222-8507, Japan  
Phone : +81-45-476-9725 Fax : +81-45-476-9726  
E-mail : overseas@onosokki.co.jp

\*Outer appearance and specifications are subject to change without prior notice.  
URL : <https://www.onosokki.co.jp/English/english.htm>

**U.S.A.**  
Ono Sokki Technology Inc.  
2171 Executive Drive, Suite 400  
Addison, IL, 60101, U.S.A.  
Phone : +1-630-627-9700  
Fax : +1-630-627-0004  
E-mail : info@onosokki.net  
<http://www.onosokki.net>

**THAILAND**  
Ono Sokki (Thailand) Co., Ltd.  
1/293-4 Moo.9 T.Bangphud  
A.Pakkred  
Nonthaburi 11120, Thailand  
Phone : +66-2-584-6735  
Fax : +66-2-584-6740  
E-mail : sales@onosokki.co.th

**INDIA**  
Ono Sokki India Private Ltd.  
Plot No.20, Ground Floor, Sector-3,  
IMT Manesar Gurgaon-122050,  
Haryana, INDIA  
Phone : +91-124-421-1807  
Fax : +91-124-421-1809  
E-mail : osid@onosokki.co.in

**P.R.CHINA**  
Ono Sokki Shanghai Technology Co., Ltd.  
Room 506, No.47 Zhengyi Road, Yangpu  
District, Shanghai, 200433, P.R.C.  
Phone : +86-21-6503-2656  
Fax : +86-21-6506-0327  
E-mail : admin@shonosokki.com

20211208\_02E