

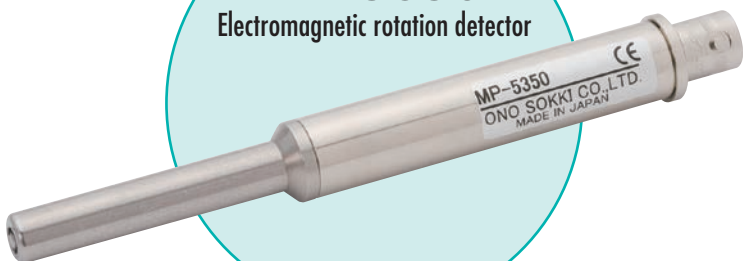
Handheld Digital Tachometer
(High Rotational Speed Measurement Model)

HR-6800



*The photograph shows the HR-6800 used in combination with the MP-5350 (sold separately).

MP-5350
Electromagnetic rotation detector



ONOSOKKI

Non-contact measurement of the rotational speed of high-speed rotating objects up to a maximum of 999,990 r/min!!

Features

1 High-speed rotation measurement
100 to 999,990 r/min

2 Built-in memory function
Up to a maximum of 20 data can be saved to memory.

3 Both analog and pulse outputs provided as standard
Used for recording rotational speeds and as rotation synchronization signals

4 Built-in peak hold function
The maximum and minimum values can be displayed during measurement.

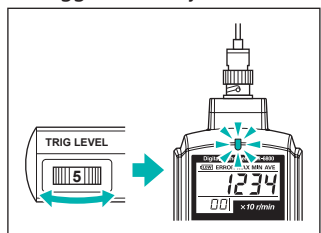
5 Large LCD with backlight



Battery compartment
(Four AAA alkaline batteries)

Screw for tripod attachment

Trigger level adjustment dial



Type A/B selection switch
Used to select the type according to the rotational speed range

Selected type	RANGE	Rotational speed range
Type A	Hi	10,000 to 999,990 r/min
	Lo	100 to 50,000 r/min
Type B	-	200,000 to 999,990 r/min

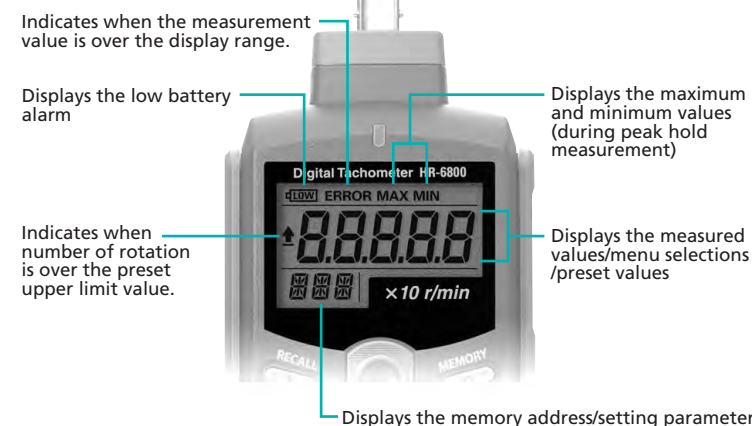
Note: Please refer to the instruction manual for the operating procedures.



Tripod mounting adapter

The MI-0301 adapter (provided with the HR-6800) enables MP-5350 to be mounted on a tripod. (The tripod is sold separately.)

Easy-to-read, large LCD (with backlight)

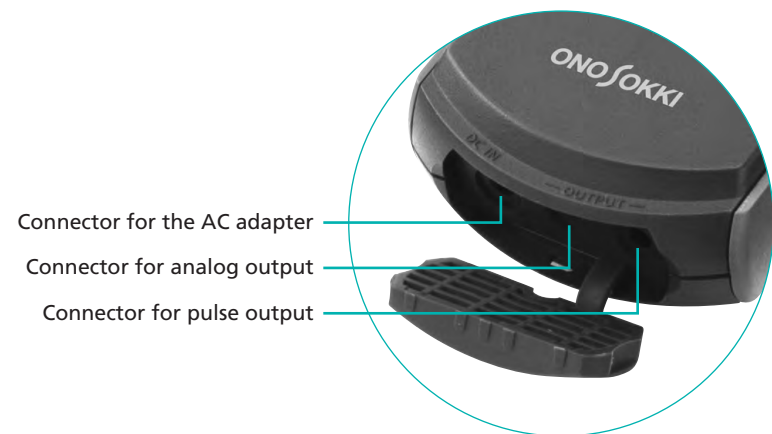


HR-6800 Specifications

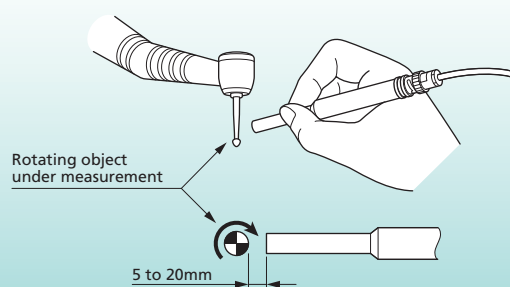
Target measurement objects	Rotating objects used in dentistry, rotating objects used in texturizing machine, rotating objects used in high-speed machine tools Note: Target measurement objects must be magnetized.		
Display	Large-size 5-digit LCD (Character height: 10.2 mm)		
Measurement time	Within 50 ms + the time required for 10 input signal cycles		
Display refresh rate	Approx. 1 second or 0.5 second, selectable		
Measurement unit	10 r/min (rotational speed)		
Rotational speed measurement range	Selected type	RANGE	Rotational speed range
	Type A	Hi	10,000 to 999,990 r/min
		Lo	100 to 50,000 r/min
Type B	-	200,000 to 999,990 r/min	
Note: When the number of pulses setting is "1".			
Measurement accuracy	Displayed value x (±0.02%) ±1 count		
Peak hold function	Maximum value (MAX), minimum value (MIN)		
Memory function	Up to a maximum of 20 data		
Over-range display	An "ERROR" mark is displayed when the measured value exceeds the measurement range.		
Rotation upper limit alarm function	An upper limit alarm mark (↑ mark) is displayed when the rotational speed exceeds the preset upper limit value.		
Analog output	Output in proportional to the displayed rotational speed values. Output voltage: 0 to 1V/0 to F.S. (F.S. is specified by user.) Output update time: Within 50 ms + the time required for 10 input signal cycles		
Monitor output	Analog output after the sensor signal waveform has been shaped. (prior to pulse waveform conversion)		
Pulse output	One pulse per signal detected Output voltage: Hi level; At least 4.5 V Lo level; Up to 0.5 V		
Power source	Four AAA-type batteries (1.5 V) or exclusive AC adapter (PB-7080, sold separately)		
Battery life	Approx. 13 hours (when the backlight is OFF.) Approx. 8 hours (when the backlight is ON.) (when alkaline batteries are used at 20°C)		
Operating temperature	0 to +40°C		
Storage temperature	-10 to +50°C		
Outer dimensions	66 (W) x 189.5 (L) x 47.5 (D) mm		
Weight	Approx. 280 g (including the batteries)		
Accessories	AAA-type batteries	4 pieces	
	Tripod mounting adapter (MI-0301)	1 piece	
	Carrying case	1 piece	

MP-5350 Specifications

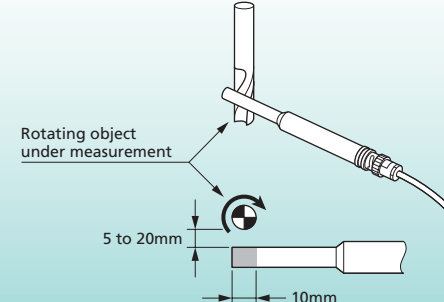
Detection method	Electromagnetic induction
Connection cable (provided as standard)	1-m length (with a BNC connector at both ends)
Operating temperature	0 to +40°C
Storage temperature	-10 to +50°C
Outer dimensions	107 x φ14 mm
Weight	Approx. 50 g (excluding signal cable)



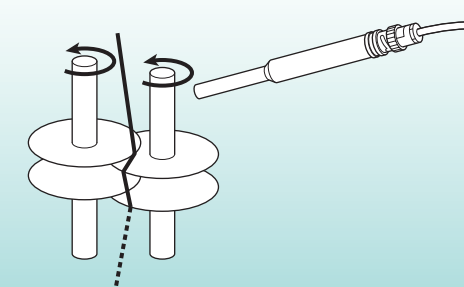
Measuring the rotational speed of a dental handpiece or similar object



Measuring the rotational speed of an end mill or drill



Measuring the rotational speed of a yarn texturizing machine



Options (sold separately)

AC adapter
PB-7080



Signal cable
AX-501



Magnetic stand/Stand jig
HT-0522/0521A



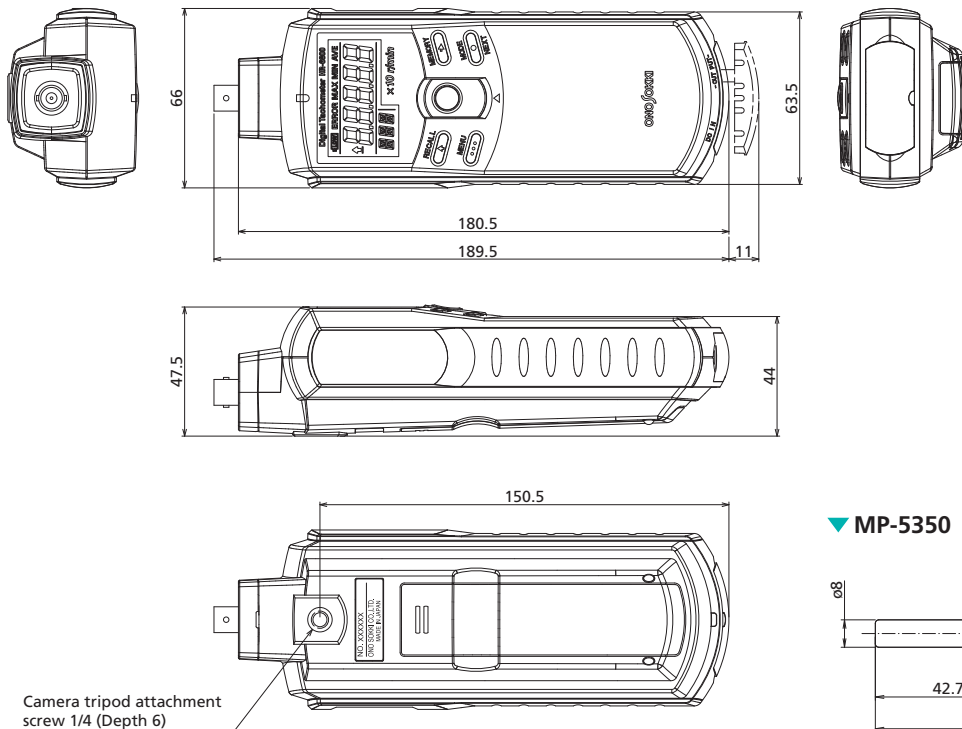
Tripod
LA-0203B



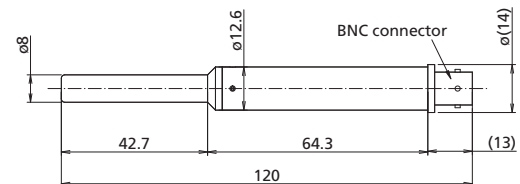
External drawing

(Unit: mm)

▼ HR-6800



▼ MP-5350



WORLDWIDE ONO SOKKI CO., LTD.

3-9-3 Shin-Yokohama, Kohoku-ku, Yokohama 222-8507, Japan
Phone : +81-45-476-9725 Fax : +81-45-476-9726
E-mail : overseas@onosokki.co.jp

* Outer appearance and specifications are subject to change without prior notice.

URL: <http://www.onosokki.co.jp/English/english.htm>

U.S.A.
Ono Sokki Technology Inc.
2171 Executive Drive, Suite 400,
Addison, IL. 60101, U.S.A.
Phone : +1-630-627-9700
Fax : +1-630-627-0004
E-mail : info@onosokki.net
<http://www.onosokki.net>

THAILAND
Ono Sokki (Thailand) Co., Ltd.
1/293-4 Moo.9 T.Bangphud
A.Pakkred,
Nonthaburi 11120, Thailand
Phone : +66-2-584-6735
Fax : +66-2-584-6740
E-mail : sales@onosokki.co.th

INDIA
Ono Sokki India Private Ltd.
Plot No.20, Ground Floor, Sector-3,
IMT Manesar Gurgaon-122050,
Haryana, INDIA
Phone : +91-124-421-1807
Fax : +91-124-421-1809
E-mail : osid@onosokki.co.in

P.R.CHINA
Ono Sokki Shanghai Technology Co., Ltd.
Room 506, No.47 Zhengyi Road, Yangpu
District, Shanghai, 200433, P.R.C.
Phone : +86-21-6503-2656
Fax : +86-21-6506-0327
E-mail : admin@shonosokki.com