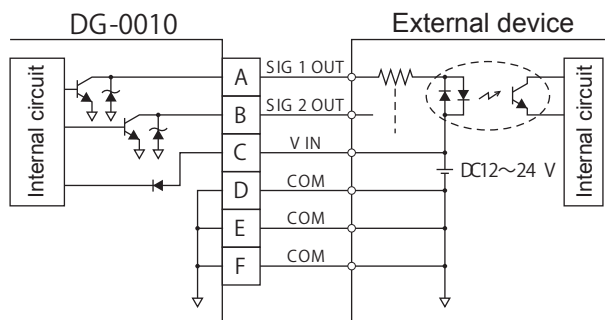


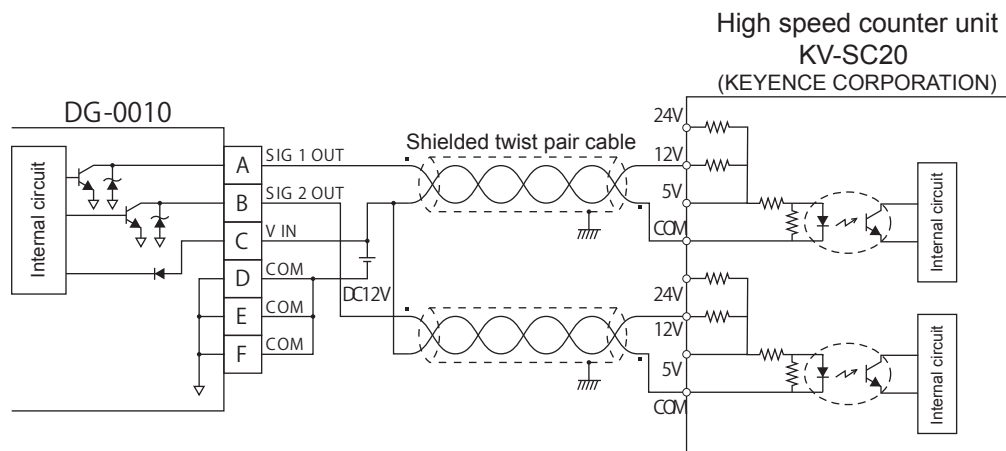
DG-0010

Output circuit and connection example

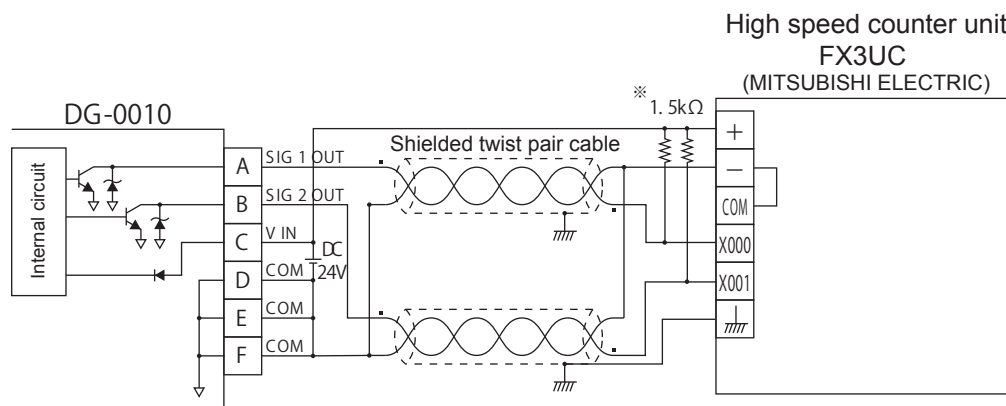
Output circuit when connected to an external device



Connection example1: Connection to a high speed counter with 4-multiplying function



Connection example2: Connection to a high speed counter with 4-multiplying function

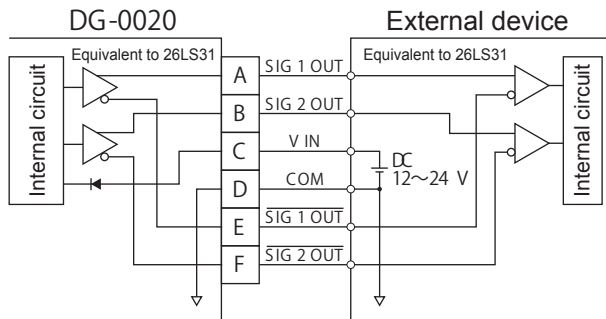


※ Requires adding pull-up register 1.5 kΩ (1/2 W) optionally.

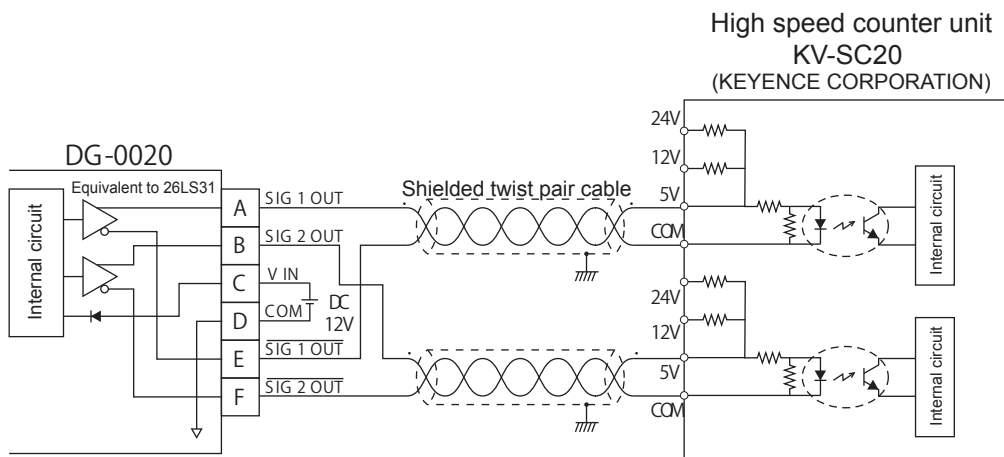
DG-0020

Output circuit and connection example

■ Output circuit when connected to an external device



■ Connection example: Connection to a high speed counter with 4-multiplying function



■ Connection example: Connection to RV-3150 Reversible counter

