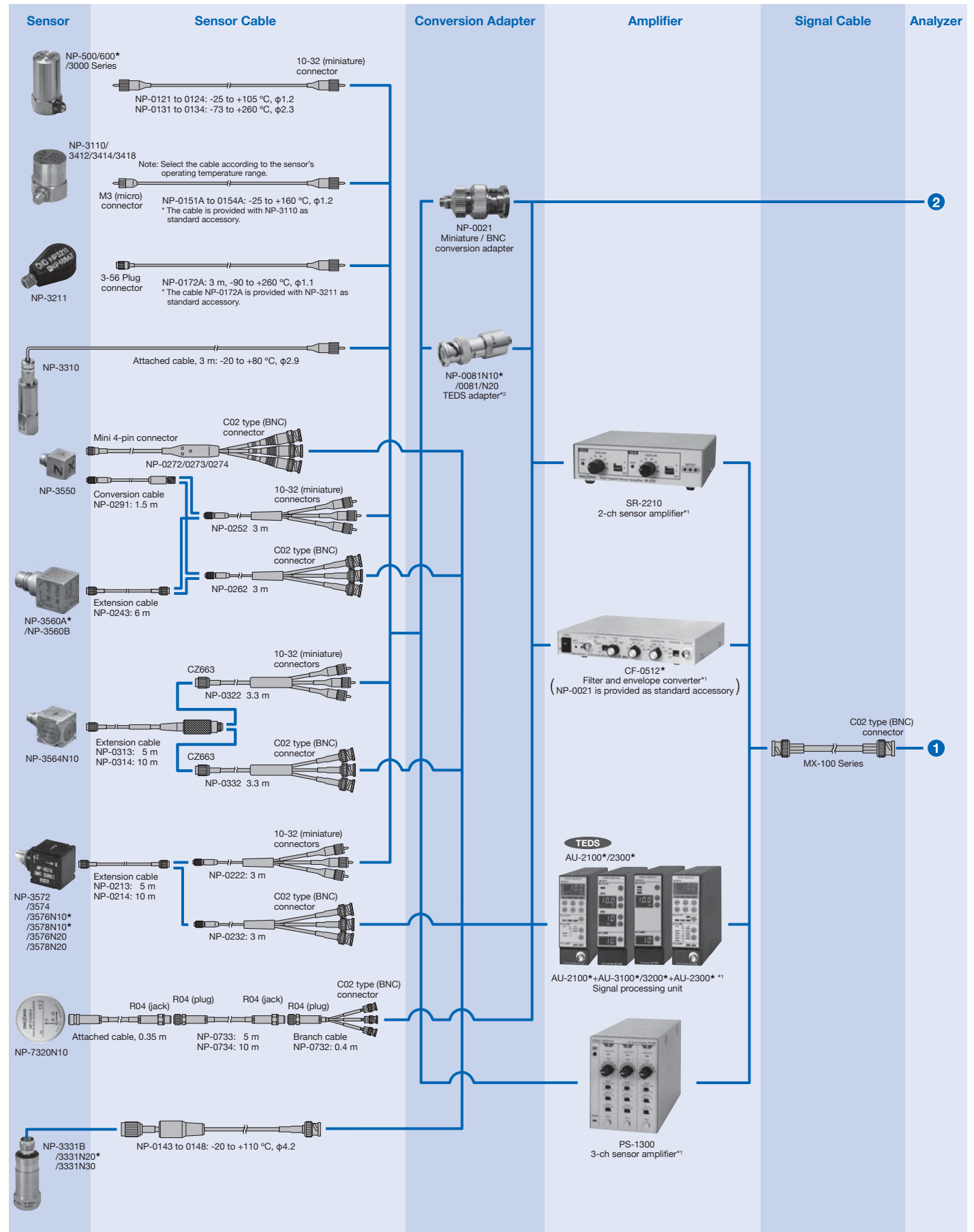


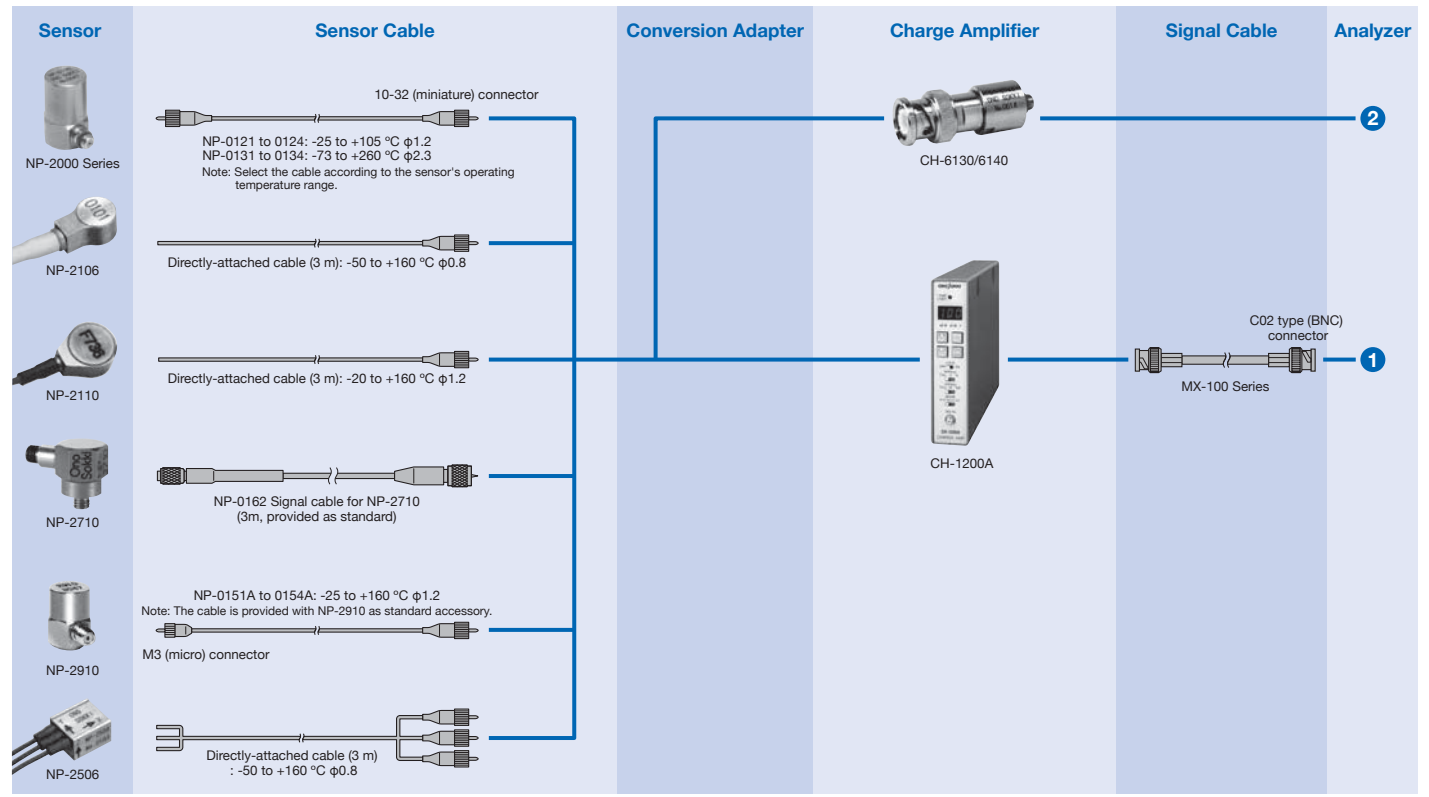
# Excitation • Vibration Measurement System

## NP-3000/7000 Series (Built-in preamplifier type)

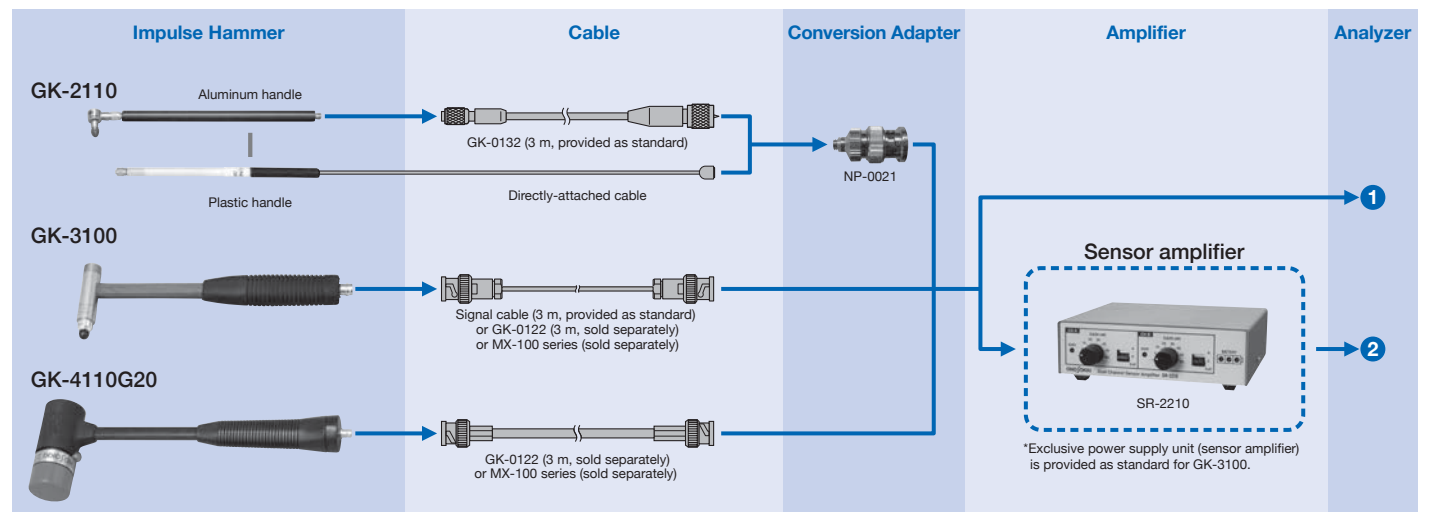


Models with ★ have been already discontinued.

## NP-2000 Series (Charge output type)



## GK Series



## Analyzers



(1) Voltage input (C02 BNC connector) (2) Sensor input (C02 BNC connector)<sup>\*1</sup>

\*1: Can not be used with the NP-500 series. (There are some exceptions)  
 \*2: Connects TEDS amplifier and the sensor which is not applicable to TEDS.