

DG-4140

Digital Gauge Comparator

NG

OK



(Linear gauges in the picture are sold separately.)

- OK (Green) or NG (Red) back light of LCD are lit up in compliance with the measurement result against comparator setting value.
- Standard function of peak hold, offset, and multiplier setting (x 0.001 to 9.999).
- Signal output of comparator and BCD is provided as standard.
- Applicable for high response speed signal of linear gauge sensor. (Signal input: DC to 300kHz)
- Comparator setting (upper or lower) and offset value can be displayed. (Only one item should be selected to be displayed.)

ONOSOKKI

DG-4140 Digital Gauge Comparator

Specifications

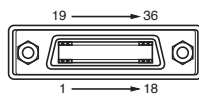
Display	LCD, 5-digit for numeric and 1 digit for polarity (–)
Display range	0.000 to ±99.999, 0.00 to ±999.99 (mm)
Signal input	Rectangular, 90° phase difference, DC to 300kHz
Calculating function	Peak hold, offset, multiplying set
External control signal I/O section	Peak hold start, peak hold stop, hold, reset, busy, comparator gate
Relay BCD output	BCD data, polarity, decimal point (positive/negative logic, open collector output), error (open collector output)
Relay output *1	Semiconductor relay (single make contact), max. contact capacity 30VDC, 0.1A
Comparator setup	5-digit for numeric, 1-digit for polarity
Power requirement	100 to 240VAC, 50/60Hz
Power consumption	Approx. 7VA
Operating temperature range	0 to +40°C
Storage temperature range	-10 to +55°C with no condensation
Outer dimensions	72 (W) x 72 (H) x 114 (D) mm
Weight	Approx 300g

*1: Resistance load

Connector pin arrangement (BCD OUT)

Pin No.	Signal	Pin No.	Signal
1	1×10^0	19	4×10^4
2	2×10^0	20	8×10^4
3	4×10^0	21	Peak hold start input
4	8×10^0	22	Peak hold stop input
5	1×10^1	23	N.C
6	2×10^1	24	N.C
7	4×10^1	25	Polarity output (+)
8	8×10^1	26	Polarity output (–)
9	1×10^2	27	D.P3 decimal point output (10μm, 0.00)
10	2×10^2	28	D.P4 decimal point output (1μm, 0.000)
11	4×10^2	29	N.C
12	8×10^2	30	Error output
13	1×10^3	31	Hold input
14	2×10^3	32	Reset input
15	4×10^3	33	Busy input
16	8×10^3	34	Comparator gate input
17	1×10^4	35	Print command output
18	2×10^4	36	Common (0V)

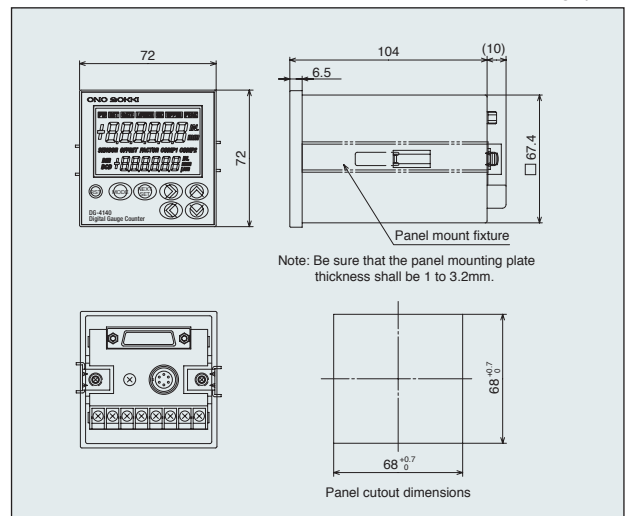
Pin arrangement



Receptacle : DX10A-36S
Applicable plug : DX40-36P
Die-cast cover : DX36-CV1

Outer Dimensions

Unit: mm



Specifications

	Basic type		Vibration resistant type		Long life & Vibration resistant type		Long stroke type		High resolution type	Ultra compact type		Round type	
	Dust & splash proof		Dust & splash proof		Dust & splash & oil proof		Protected against dust limited ingress		Dust & splash & oil proof	Dust & splash proof (for BS-102W/112W)		General purpose	Dust & splash proof
	IP64		IP64		IP66G		IP5X		IP66G	IP64 (for BS-102W/112W)		–	IP64
Resolution	10μm (0.01mm)	1μm (0.001mm)	10μm (0.01mm)	1μm (0.001mm)	10μm (0.01mm)	1μm (0.001mm)	10μm (0.01mm)	1μm (0.001mm)	0.1μm (0.0001mm)	10μm (0.01mm)	1μm (0.001mm)	10μm (0.01mm)	10μm (0.01mm)
10mm										BS-102/102W	BS-112/112W	GS-102	
13mm	GS-1713	GS-1813	GS-6713	GS-6813	GS-4713	GS-4813			GS-3813				
25mm												GS-251	GS-251W
30mm	GS-1730	GS-1830	GS-6730	GS-6830	GS-4730	GS-4830			GS-3830				
50mm							GS-5050	GS-5051					
100mm							GS-5100	GS-5101					

• Peripheral equipment

D/A Converter
DA-4130

Converting the BCD signal from DG-4140 into analogue voltage /current signal.
Signal cable (Model AA-8101-sold separately) is required.

Printer
RQ-1410

Inputting the BCD signal from DG-4140 for data print.
Signal cable (Model AA-8103-sold separately) is required.

ONOSOKKI

• Outer appearance and specifications are subject to change without prior notice.
URL: <http://www.onosokki.co.jp/English/english.htm>

U.S.A
Ono Sokki Technology Inc.
2171 Executive Drive, Suite 400
Addison, IL. 60101, U.S.A
Phone : +1-630-627-9700
Fax : +1-630-627-0004
E-mail : info@onosokki.net
<http://www.onosokki.net>

THAILAND
Ono Sokki (Thailand) Co., Ltd.
29/67 Moo 5 Tivanon Road, Pakkred,
Nonthaburi 11120, Thailand
Phone : +66-2-964-3884
Fax : +66-2-964-3887
E-mail : osth_sales@onosokki.co.jp

P.R.CHINA
Ono Sokki Beijing Office
Beijing Jing Guang Center 3510
Hu Jia Lou, Chao Yang Qu
Beijing 100020, P.R.China
Phone : +86-10-6597-3113
Fax : +86-10-6597-3114
E-mail : onosokki@bnn.cn

WORLDWIDE
Ono Sokki Co., Ltd.
3-9-3 Shin-Yokohama, Kohoku-ku,
Yokohama 222-8507, Japan
Phone : +81-45-476-9712
Fax : +81-45-470-7244
E-mail : overseas@onosokki.co.jp