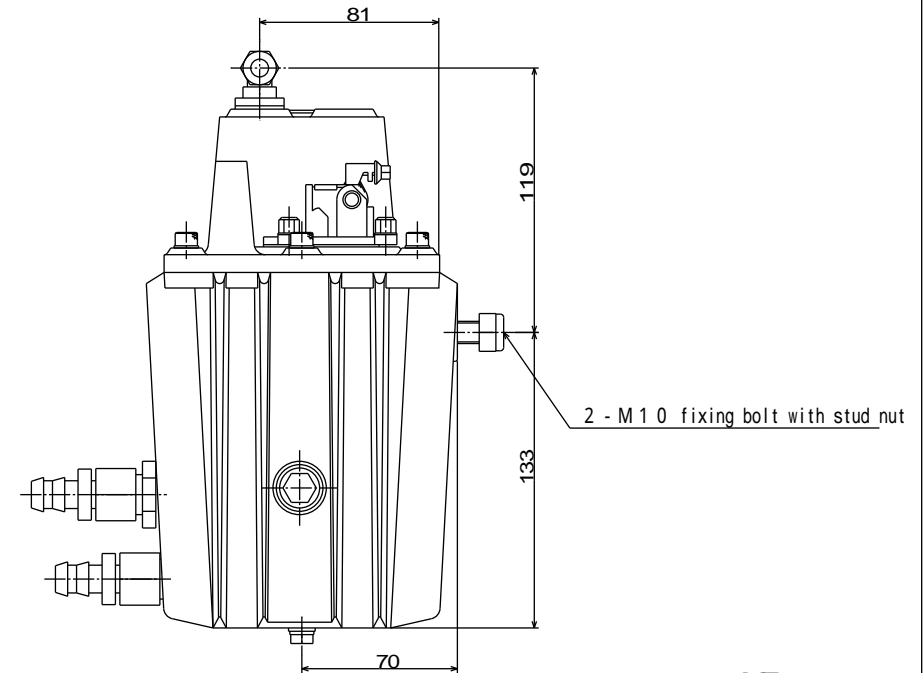
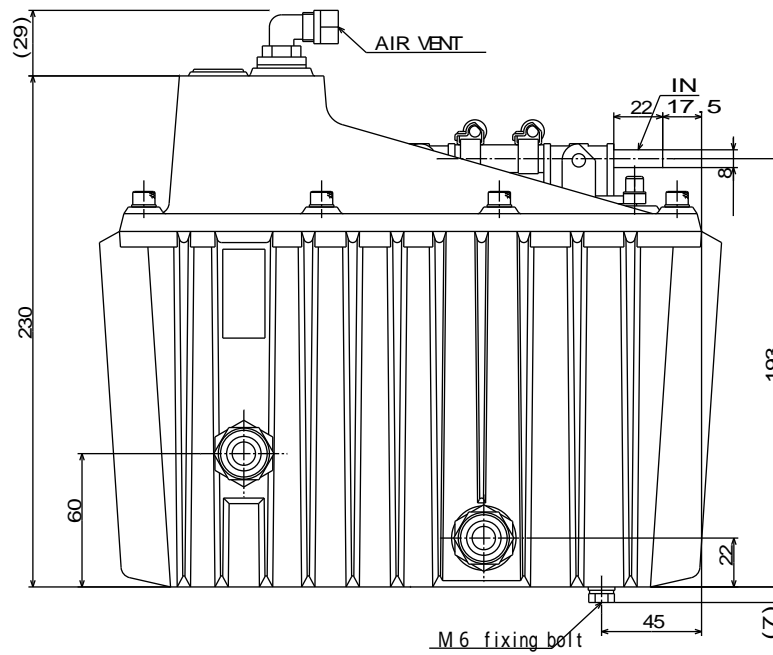


- : Approx. 120 l/h (when the light oil is 15 and the inlet pressure is 0.5kg/cm<sup>2</sup>)
- : Approx. 400l /h
- : 0.5k g /c m<sup>2</sup>
- : Light oil, gasoline
- : 2.0 l
- : 0.372m<sup>2</sup>
- : 0.130m<sup>2</sup>
- : 5.7 kg



MF-035  
**ONO SOKKI**