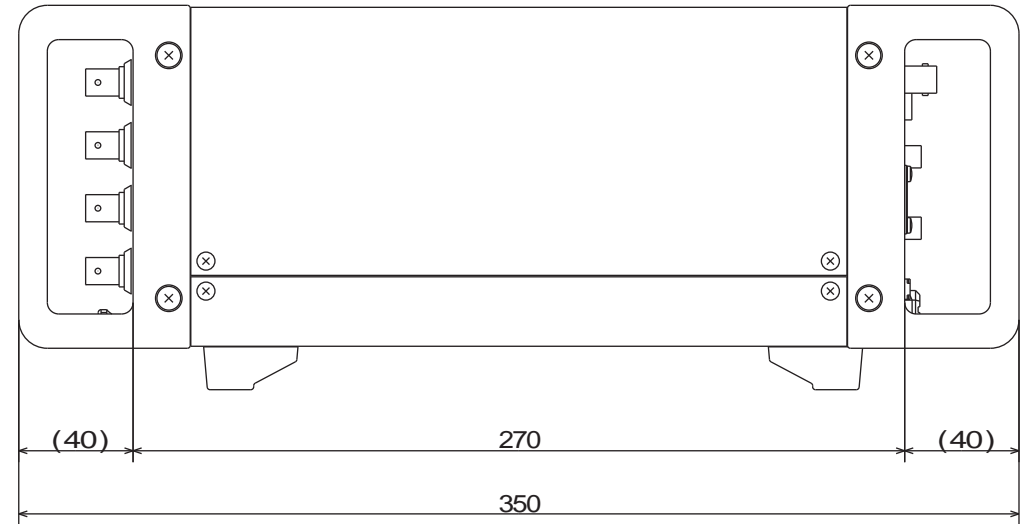
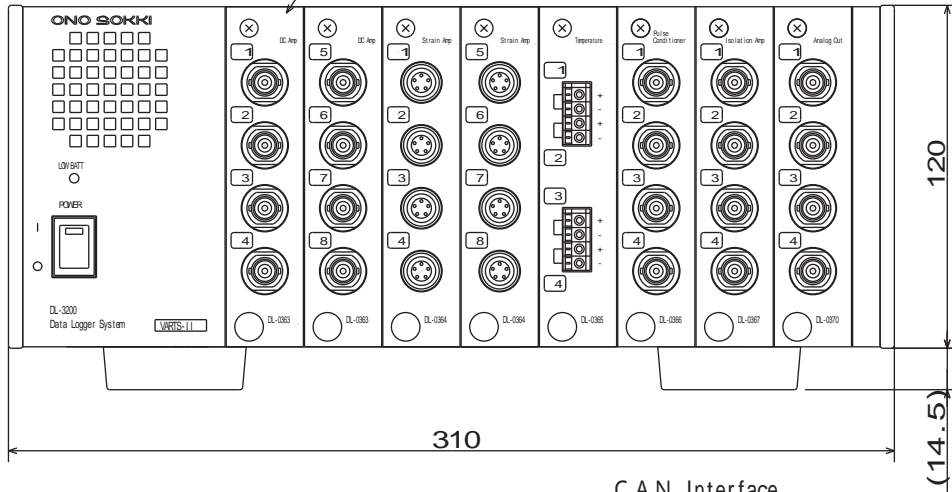
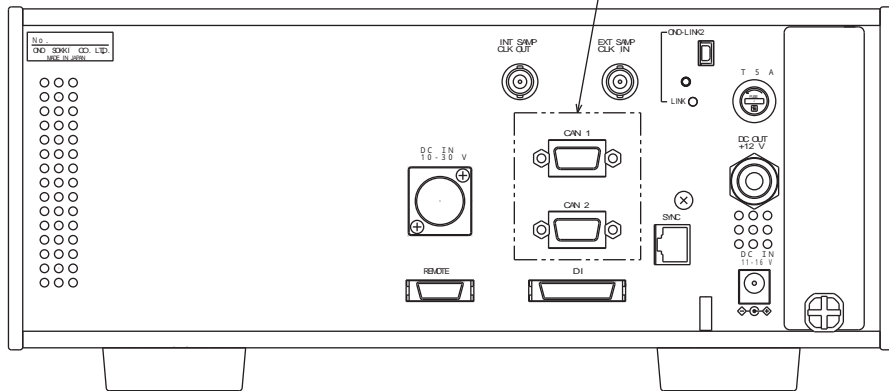


Measurement module  
Option (sold separately)  
DL - 0 3 6 3



CAN Interface  
Option (sold separately)  
DL - 0 3 9 0



REAR VIEW