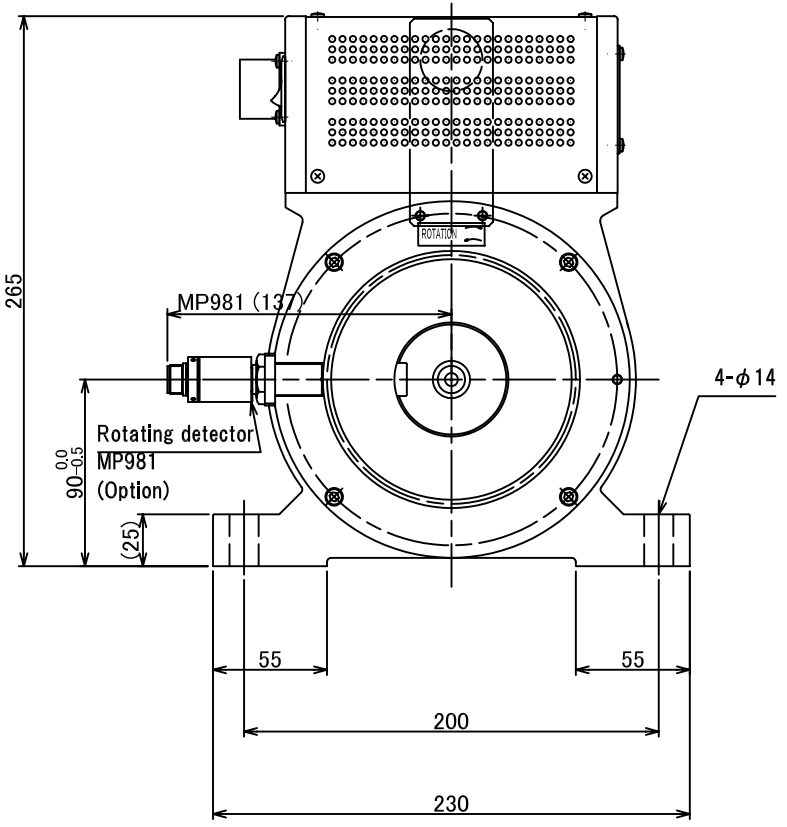
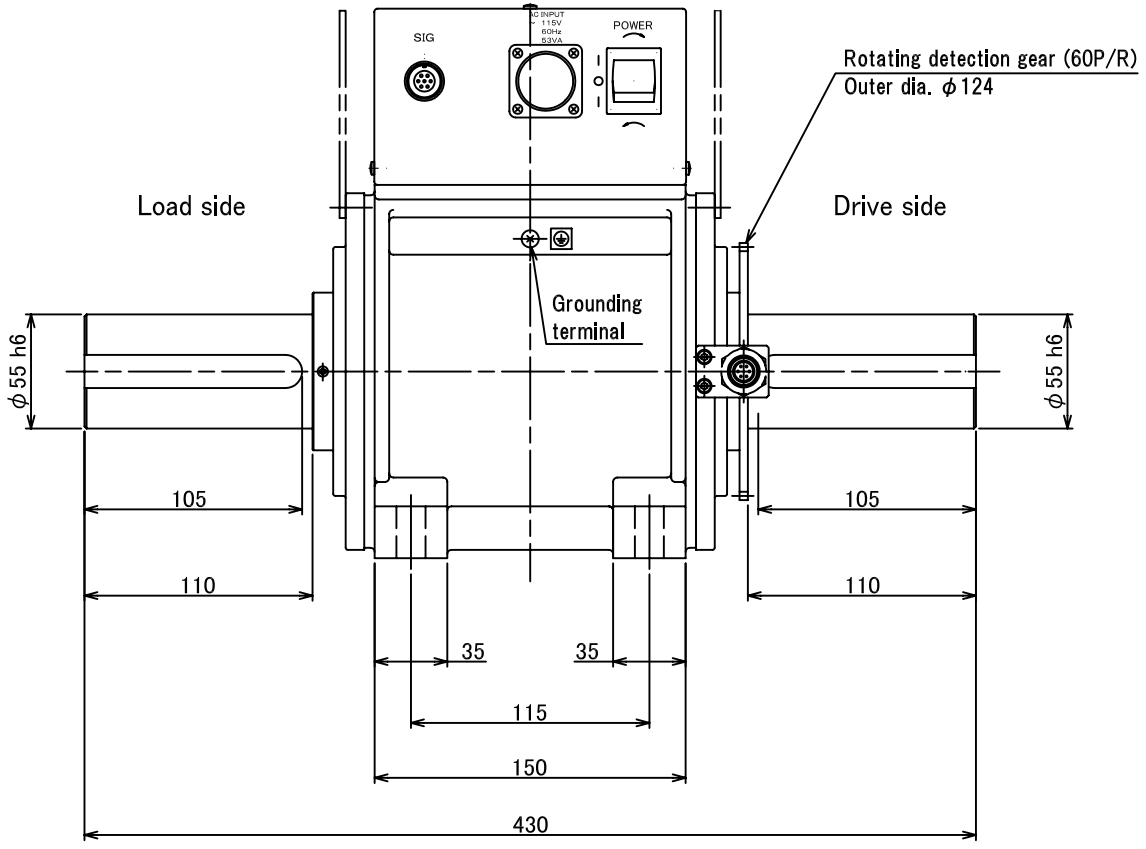


Key-groove dimension on both shaft ends



(Note)
1. Same dimension for 115V AC and 230V AC specification.