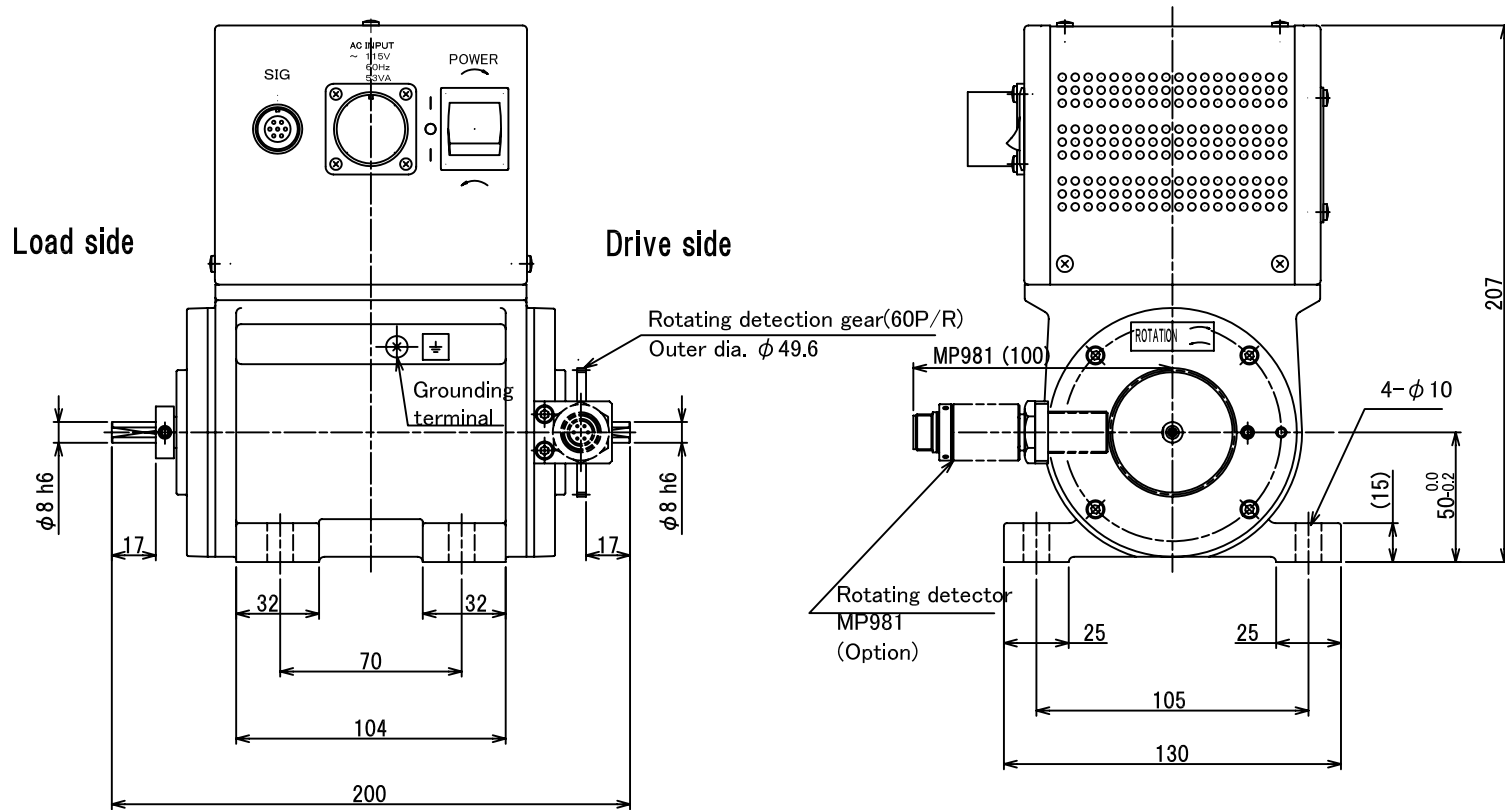




Surface dimension of both shaft ends



(Note)

1. Same dimension for 115V AC and 230V AC specification.

SS-002E to SS-050E

ONOSOKKI