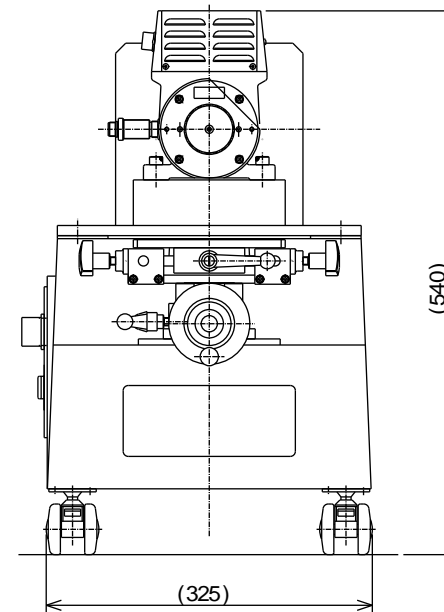
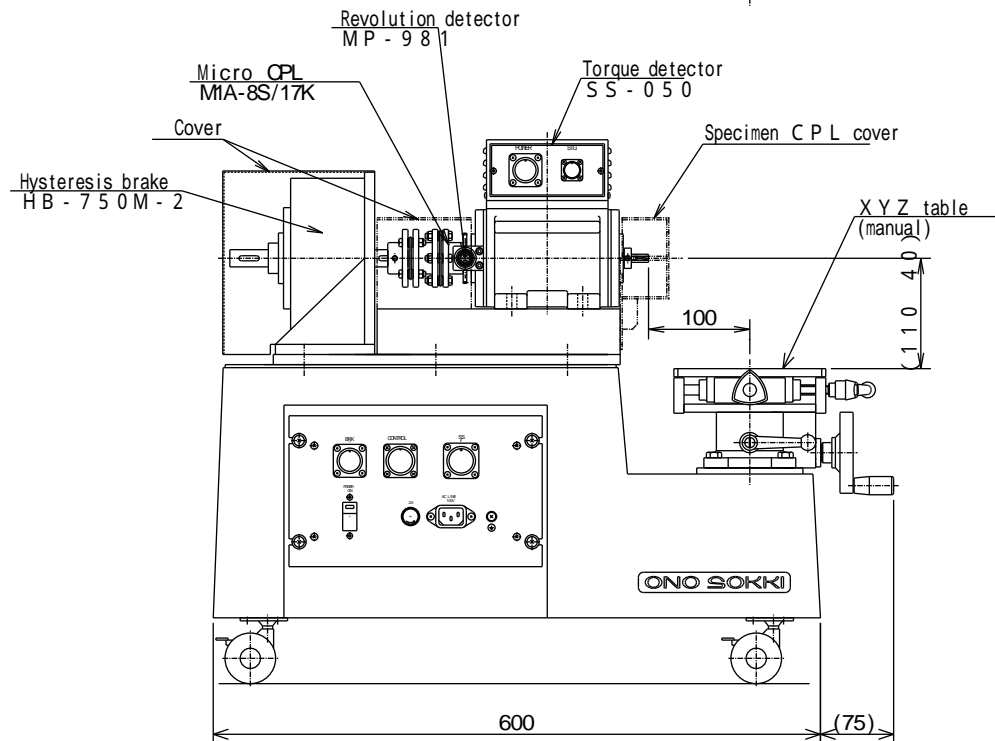
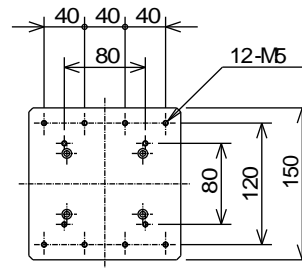


Shaft-end detail dimension



Notes: 1. The coupling and mounting fixtures for the test motors are not included.

2. XYZ table moving distance
  - X (Right and left)  $\pm 10$  mm
  - Y (Backward and forward)  $\pm 15$  mm
  - Z (Up and down)  $70$  mm
3. Brake power 200W

**MT - 6454A**  
 (5Nm / 100~10000r/min)  
**ONO SOKKI**