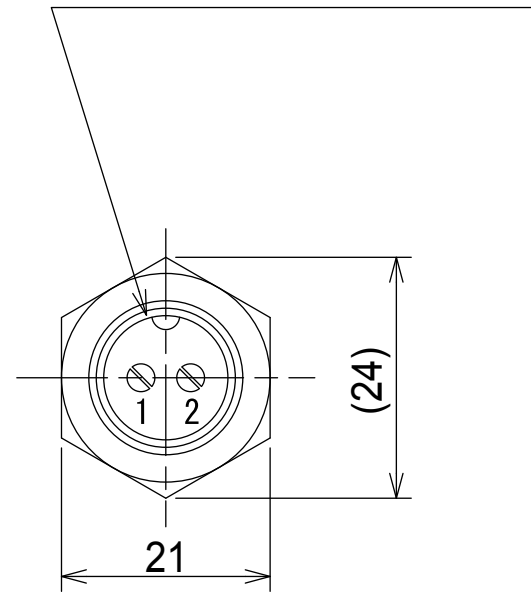


CONNECTOR (HS12RG-2)

1: SIGNAL
2: COMMON



Weight: Approx. 90g
(Unit: mm)

MP-9100
ONOSOKKI