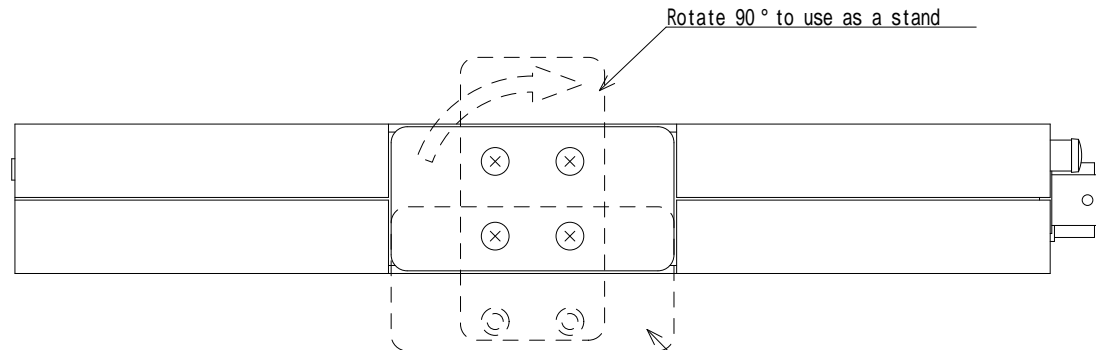


(Accessories)

- 1 . Connecting fixtures(2)
- 2 . Linkage connector(1)
- 3 . Stabilizer(1)
- 4 . Fixture(1)



**FV-5300**  
**ONO SOKKI**