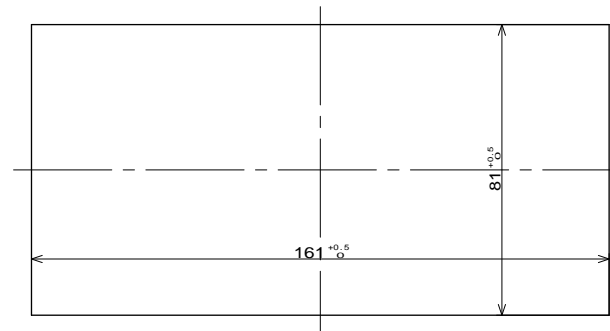


REAR VIEW



PANEL-CUT DIMENSIONS