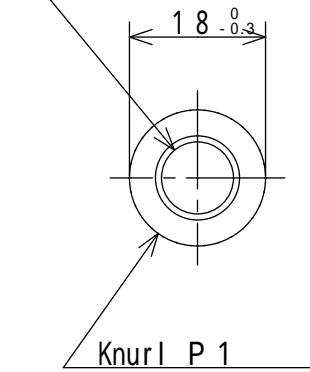


$W 3 / 8$ effective screw 12 16 top



MI - 0302
ONO SOKKI