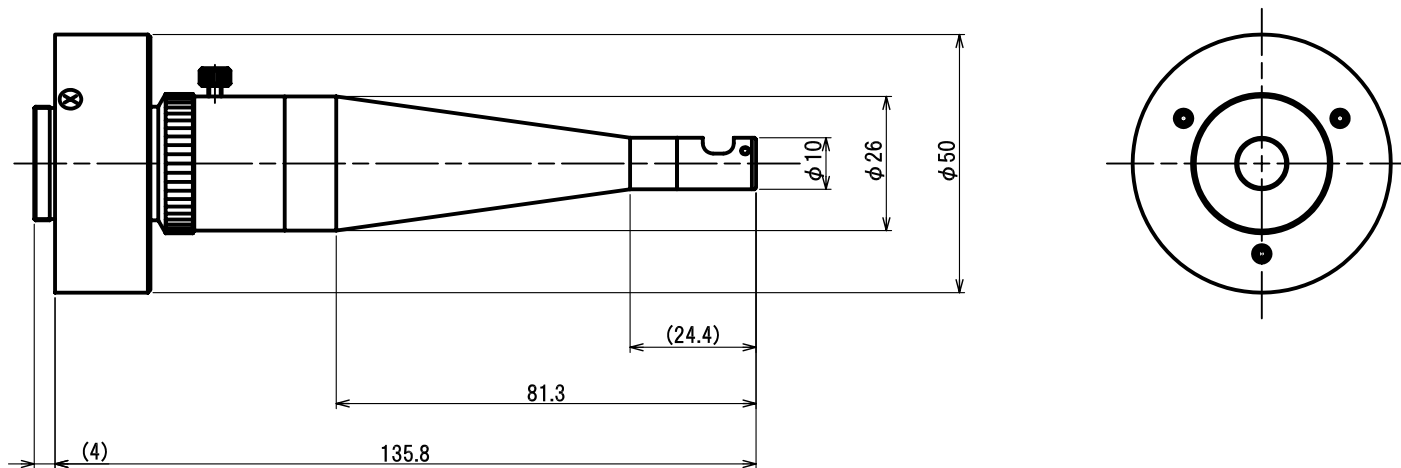


When using attached shaft



LV-0301
ONO SOKKI