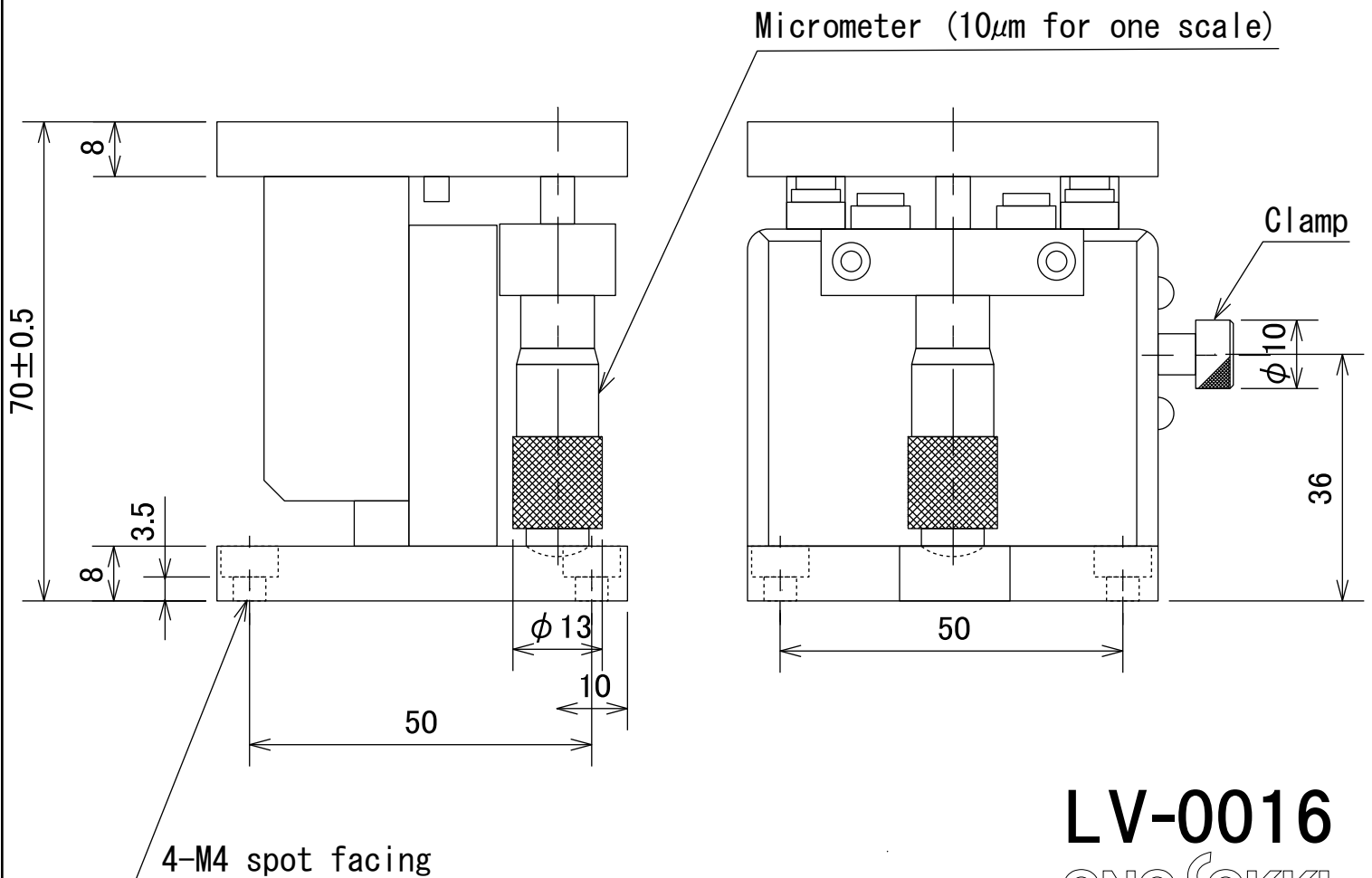
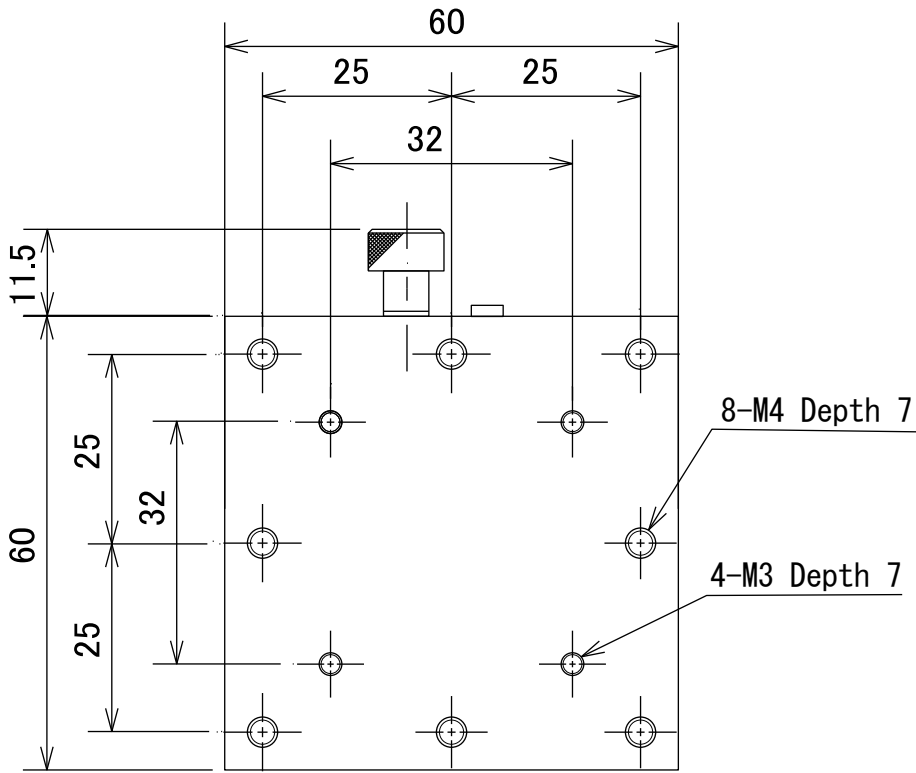


# Fine-positioning Z stage

Stage surface : 60 x 60 mm  
Movable range :  $\pm 6.5$  mm  
Withstand load : 2 kg



**LV-0016**  
ONOSOKKI