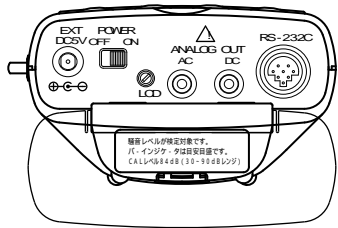
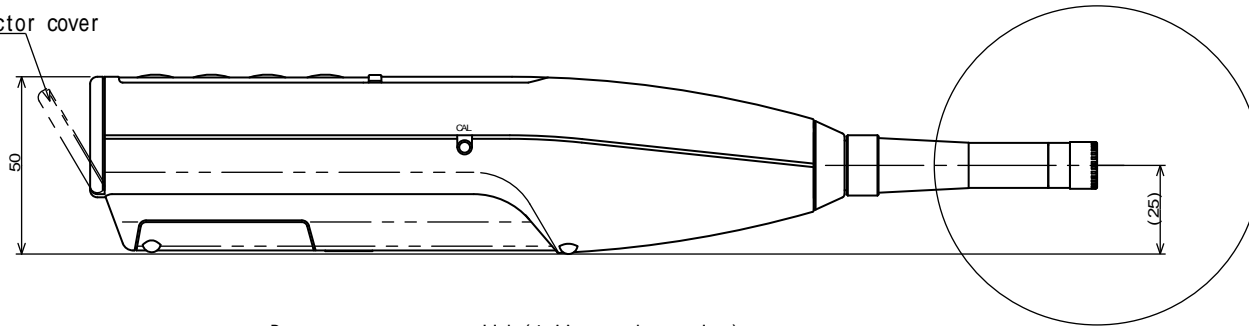


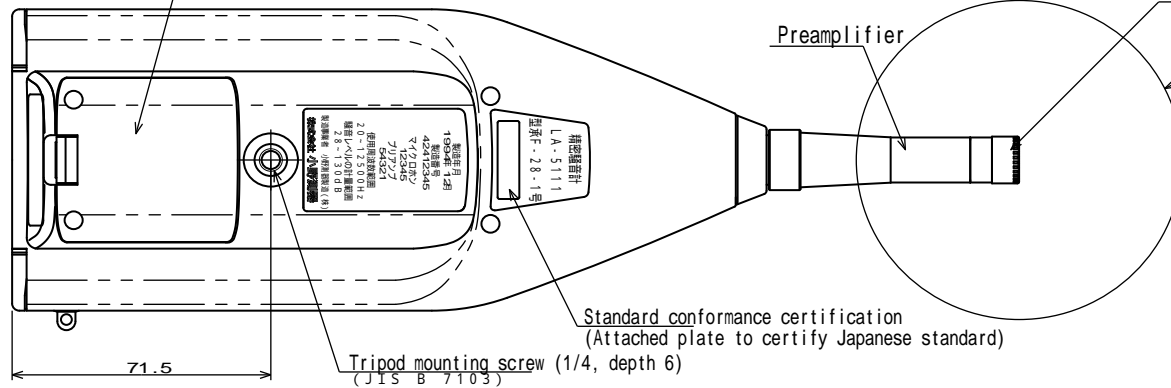
Connector cover



(Connector cover open/close)



Battery compartment lid (4 AA-type batteries)



Microphone (MI - 1233)

Windscreen ( 90 )

Preamplifier

Standard conformance certification  
(Attached plate to certify Japanese standard)

Tripod mounting screw (1/4, depth 6)  
(JIS B 7103)

Weight: Approx. 500g (batteries included)  
(Unit: mm)

LA-5111  
ONO SOKKI