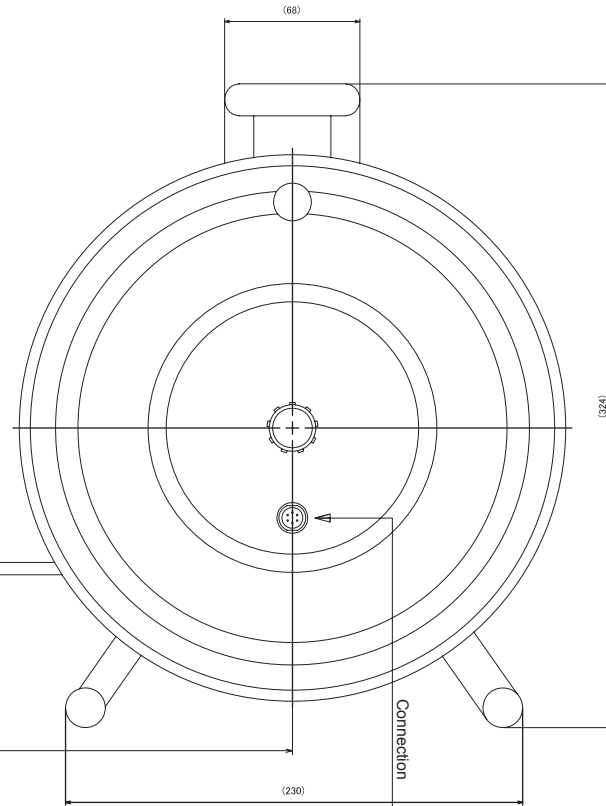
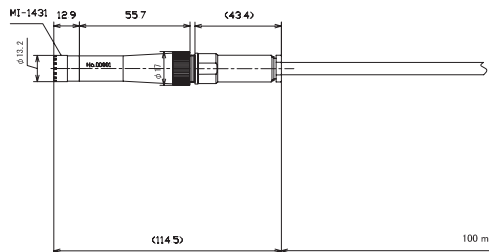
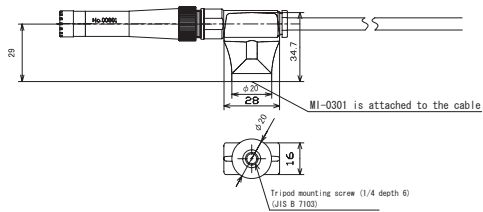
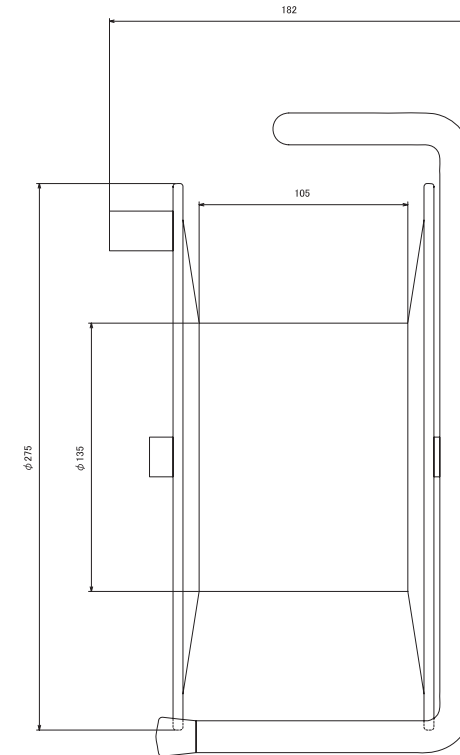
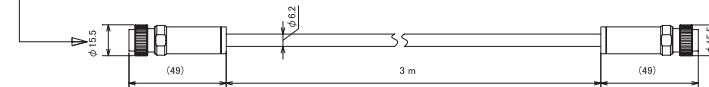


Connecting the microphone extension cable between the main unit and preamplifier of LA-2560/2111/1210/1240/1250 (Type II)

When mounting MI-0301 Microphone adapter



Connection



Weight: Approx. 7.4kg  
(Unit:mm)

AG-3305  
ONOSOKKI