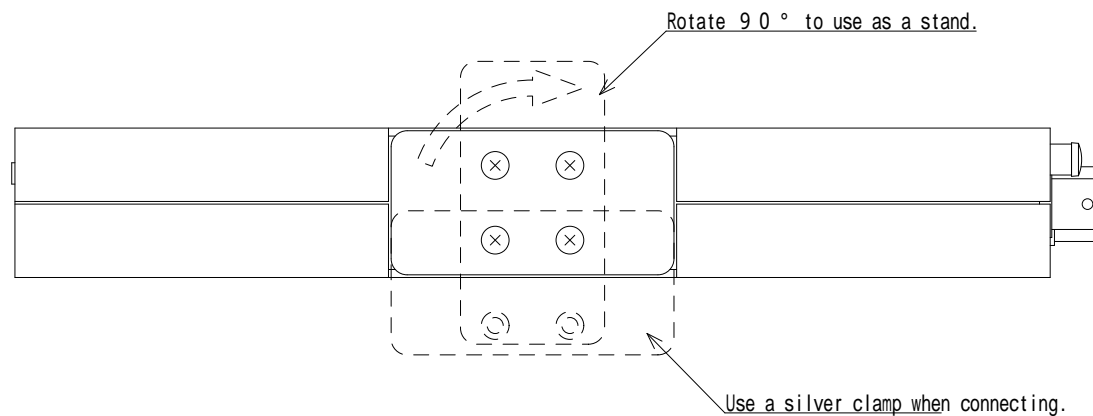


- (Accessories)
- 1 . Connecting fixtures (2)
 - 2 . Stacking connector (1)
 - 3 . Stabilizer (1)
 - 4 . Silver clamp (1)



FV-5300
ONO SOKKI